



安徽富信半导体科技有限公司

ANHUI FOSAN SEMICONDUCTOR TECHNOLOGY CO., LTD.

ES5A-ES5J

SMC Super Fast Recovery Diode 超快恢复二极管

■ Features 特点

Built-in Strain Relief 内应力释放
 Fast Switching Speed 快的开关速度
 Super Fast Recovery time 超快恢复时间
 Surface Mount Device 表面贴装器件
 Case 封装:SMC(DO214-AB)



■ Maximum Rating 最大额定值

($T_A=25^{\circ}\text{C}$ unless otherwise noted 如无特殊说明, 温度为 25°C)

Characteristic 特性参数	Symbol 符号	ES 5A	ES 5B	ES 5C	ES 5D	ES 5E	ES 5G	ES 5J	Unit 单位
Repetitive Peak Reverse Voltage 重复峰值反向电压	V_{RRM}	50	100	150	200	300	400	600	V
DC Reverse Voltage 直流反向电压	V_R	50	100	150	200	300	400	600	V
RMS Reverse Voltage 反向电压均方根值	$V_{R(RMS)}$	35	70	105	140	210	280	420	V
Forward Rectified Current 正向整流电流	I_F	5							A
Peak Surge Current 峰值浪涌电流	I_{FSM}	120							A
Thermal Resistance J-A 结到环境热阻	$R_{\theta JA}$	40							$^{\circ}\text{C}/\text{W}$
Operating and Storage Temperature Range 工作温度和储藏温度范围	T_J, T_{stg}	-65to+150 $^{\circ}\text{C}$							$^{\circ}\text{C}$

■ Electrical Characteristics 电特性

($T_A=25^{\circ}\text{C}$ unless otherwise noted 如无特殊说明, 温度为 25°C)

Characteristic 特性参数	Symbol 符号	ES5A-ES5D	ES5E-ES5G	ES5J	Unit 单位	Condition 条件
Forward Voltage 正向电压	V_F	0.95	1.25	1.7	V	$I_F=5\text{A}$
Reverse Current 反向电流	I_R	5($T_A=25^{\circ}\text{C}$) 500($T_A=100^{\circ}\text{C}$)			μA	$V_R=V_{RRM}$
Reverse Recovery Time 反向恢复时间	T_{rr}	35			nS	$I_F=0.5\text{A}, I_R=1\text{A}$ $I_{rr}=0.25\text{A}$
Junction Capacitance 结电容	C_J	40	25		pF	$V_R=4\text{V}$, $f=1\text{MHz}$

Typical Characteristic Curve 典型特性曲线

FIG.1- TEST CIRCUIT DIAGRAM AND REVERSE RECOVERY TIME CHARACTERISTIC

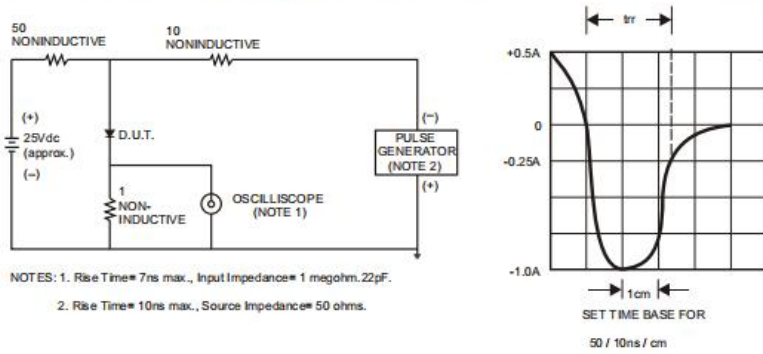


FIG.2-TYPICAL FORWARD CURRENT DERATING CURVE

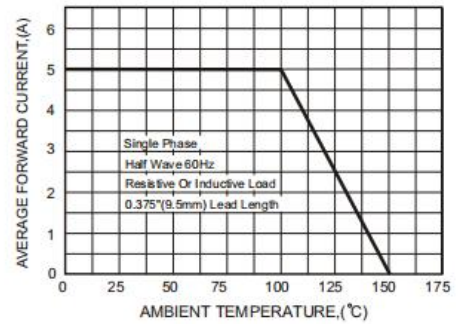


FIG.3-TYPICAL FORWARD CHARACTERISTICS

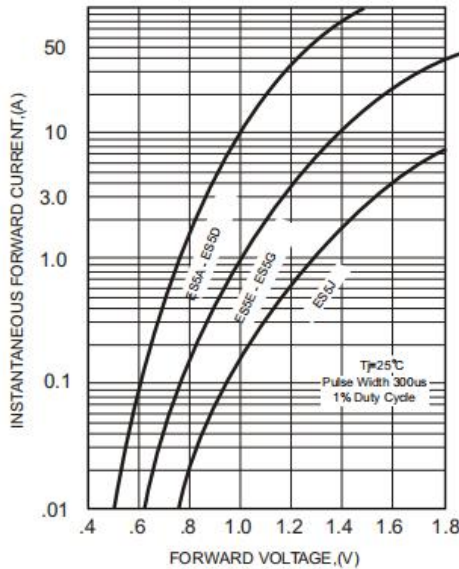


FIG.4-TYPICAL REVERSE CHARACTERISTICS

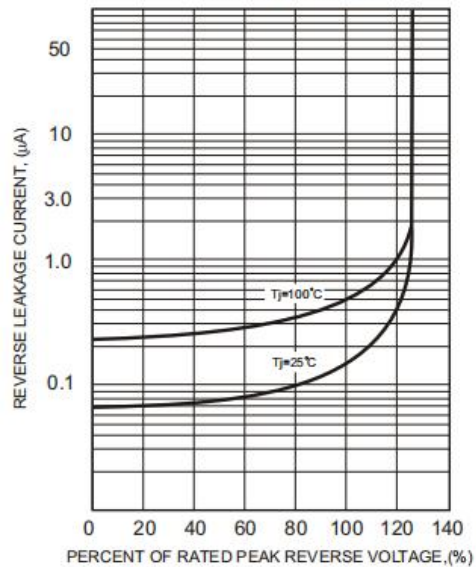


FIG.5-MAXIMUM NON-REPETITIVE FORWARD SURGE CURRENT

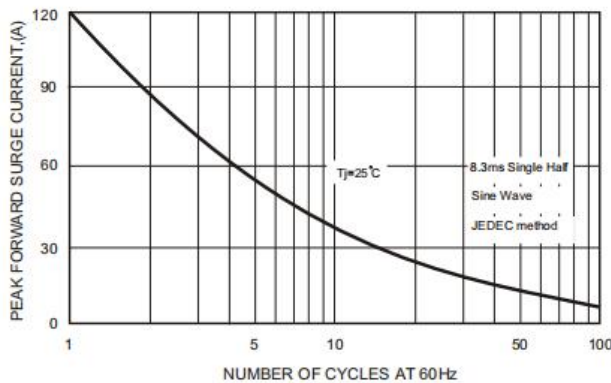
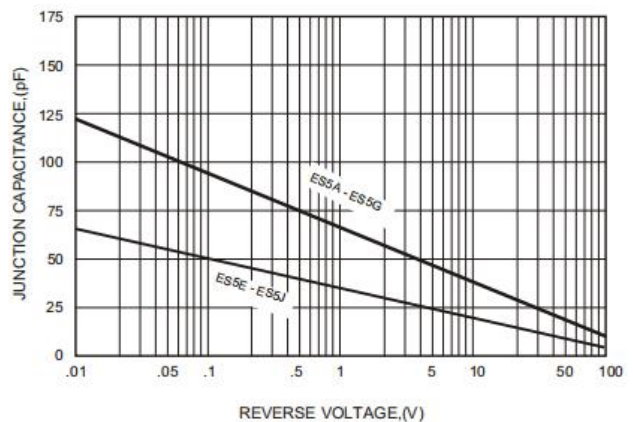
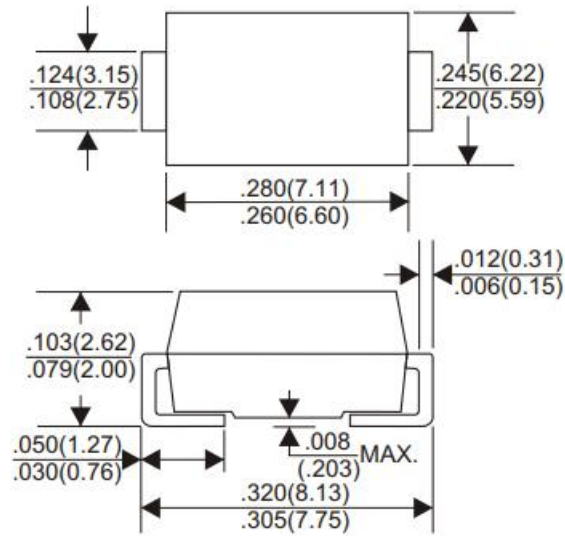


FIG.6-TYPICAL JUNCTION CAPACITANCE



■Dimension 外形封装尺寸

DO-214AB(SMC)



Dimensions in inches and (millimeters)