



SOT-23-3L SOT-89 LDO High Input Voltage Three Terminal Regulator 低落差高电压三端稳压 IC

■ Features 特点

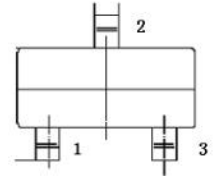
1.GND 2.Vi 3.Vo

Low Dropout Voltage 低落差电压: < 0.3V

Low Quiescent Current 低静态电流: 1.5μA

High Input Voltage 高输入电压: Up to 高达 20V

High Precision Output Voltage 高精度输出电压: ±2%



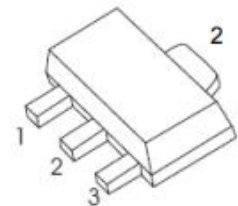
■ Application 应用

Battery Power Supply Equipment 电池供电设备

Communication Equipment 通信设备

Audio/Video Equipment 音视频设备

Monitor Equipment 监控设备



■ Absolute Maximum Ratings 最大额定值

(TA=25°C unless otherwise noted 如无特殊说明, 温度为 25°C)

Characteristic 特性参数	Symbol 符号	Rat 额定值	Unit 单位
Input Voltage 输入电压	V _i	20	V
Operating Current 工作电流	I _o	300	mA
Power dissipation 耗散功率	P _D (SOT-23-3L SOT-89)	200 500	mW
Thermal Resistance Junction-Ambient 热阻	R _{θJA} (SOT-23-3L SOT-89)	625 250	°C/W
Solder Temperature/Time 焊接温度/时间	T _d	260/10	°C/S
Operating Ambient Temperature 工作温度	T _A	-40~+85	°C
Junction and Storage Temperature 结温和储藏温度	T _J , T _{stg}	-50to+125°C	



■ Electrical Characteristics 电特性

FS7330 (T_{opt}=25°C)

Characteristic 特性参数	Symbol 符号	Test Condition 测试条件	Min 最小值	Type 典型值	Max 最大值	Unit 单位
Output Voltage 输出电压	V _O	I _O =10mA V _I =5V	2.94	3	3.06	V
Output Current 输出电流	I _O	V _I =5V	300			mA
Dropout Voltage 落差电压	V _D	I _O =100mA ΔV _O =2%		210	300	mV
Quiescent Current 静态电流	I _q	V _I =5V I _O =0		1.5	3	μA
Line Regulation 线性调整	ΔV _O /ΔV _I *V _O	I _O =1mA 4≤V _I ≤20			0.2	%/V
Output Short Current 输出短路电流	I _{lim}	V _O =0V		400		mA
Temperature Finger 温度系数	ΔV _O /ΔT _a *V _O	I _O =10mA V _I =5V -40°C≤T _a ≤85°C		±100		ppm/°C

FS7333 (T_{opt}=25°C)

Characteristic 特性参数	Symbol 符号	Test Condition 测试条件	Min 最小值	Type 典型值	Max 最大值	Unit 单位
Output Voltage 输出电压	V _O	I _O =10mA V _I =5.3V	3.234	3.3	3.366	V
Output Current 输出电流	I _O	V _I =5.3V	300			mA
Dropout Voltage 落差电压	V _D	I _O =100mA ΔV _O =2%		195	300	mV
Quiescent Current 静态电流	I _q	V _I =5.5V I _O =0		1.5	3	μA
Line Regulation 线性调整	ΔV _O /ΔV _I *V _O	I _O =1mA 4.3≤V _I ≤20		0.2		%/V
Load Regulation 负载调整	ΔV _O	1mA≤I _O ≤300mA V _I =5.5V		37	100	mV
Output Short Current 输出短路电流	I _{lim}	V _O =0V		400		mA
Temperature Finger 温度系数	ΔV _O /ΔT _a *V _O	I _O =10mA V _I =5.3V -40°C≤T _a ≤85°C		±100		ppm/°C



■Electrical Characteristics 电特性

FS7336 (T_{opt}=25°C)

Characteristic 特性参数	Symbol 符号	Test Condition 测试条件	Min 最小值	Type 典型值	Max 最大值	Unit 单位
Output Voltage 输出电压	V _O	I _O =10mA V _I =5.6V	3.528	3.6	3.672	V
Output Current 输出电流	I _O	V _I =5.6V	300			mA
Dropout Voltage 落差电压	V _D	I _O =100mA ΔV _O =2%		180	300	mV
Quiescent Current 静态电流	I _q	V _I =5.6V I _O =0		1.5	3	μA
Line Regulation 线性调整	ΔV _O /ΔV _I *V _O	I _O =1mA 4.6≤V _I ≤20		0.2		%/V
Load Regulation 负载调整	ΔV _O	1mA≤I _O ≤300mA V _I =5.6V		37	100	mV
Output Short Current 输出短路电流	I _{lim}	V _O =0V		400		mA
Temperature Finger 温度系数	ΔV _O /ΔTa*V _O	I _O =10mA V _I =5.6V -40°C≤Ta≤85°C		±100		ppm/°C

FS7340 (T_{opt}=25°C)

Characteristic 特性参数	Symbol 符号	Test Condition 测试条件	Min 最小值	Type 典型值	Max 最大值	Unit 单位
Output Voltage 输出电压	V _O	I _O =10mA V _I =6V	3.92	4	4.08	V
Output Current 输出电流	I _O	V _I =6V	300			mA
Dropout Voltage 落差电压	V _D	I _O =100mA ΔV _O =2%		170	300	mV
Quiescent Current 静态电流	I _q	V _I =6V I _O =0		1.5	3	μA
Line Regulation 线性调整	ΔV _O /ΔV _I *V _O	I _O =1mA 5≤V _I ≤20		0.2		%/V
Load Regulation 负载调整	ΔV _O	1mA≤I _O ≤300mA V _I =6V		37	100	mV
Output Short Current 输出短路电流	I _{lim}	V _O =0V		400		mA
Temperature Finger 温度系数	ΔV _O /ΔTa*V _O	I _O =10mA V _I =6V -40°C≤Ta≤85°C		±100		ppm/°C



■Electrical Characteristics 电特性

FS7344 (T_{opt}=25°C)

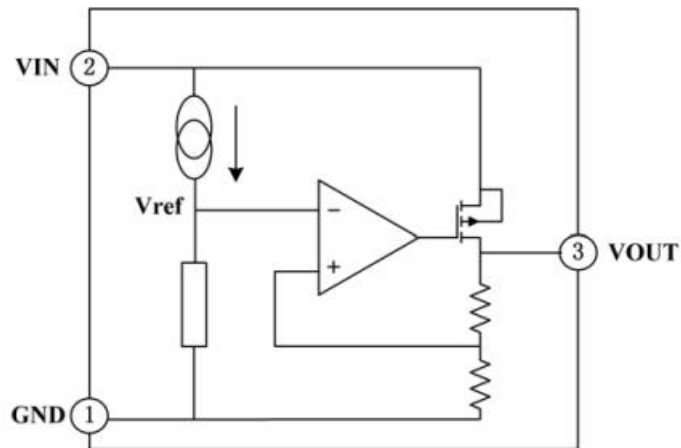
Characteristic 特性参数	Symbol 符号	Test Condition 测试条件	Min 最小值	Type 典型值	Max 最大值	Unit 单位
Output Voltage 输出电压	V _O	I _O =10mA V _I =6.4V	4.312	4.4	4.488	V
Output Current 输出电流	I _O	V _I =6.4V	300			mA
Dropout Voltage 落差电压	V _D	I _O =100mA ΔV _O =2%		160	300	mV
Quiescent Current 静态电流	I _q	V _I =6.4V I _O =0		1.5	3	μA
Line Regulation 线性调整	ΔV _O /ΔV _I *V _O	I _O =1mA 5.4≤V _I ≤20		0.2		%/V
Load Regulation 负载调整	ΔV _O	1mA≤I _O ≤300mA V _I =6.4V		37	100	mV
Output Short Current 输出短路电流	I _{lim}	V _O =0V		400		mA
Temperature Finger 温度系数	ΔV _O /ΔT _a *V _O	I _O =10mA V _I =6.4V -40°C≤T _a ≤85°C		±100		ppm/°C

FS7350 (T_{opt}=25°C)

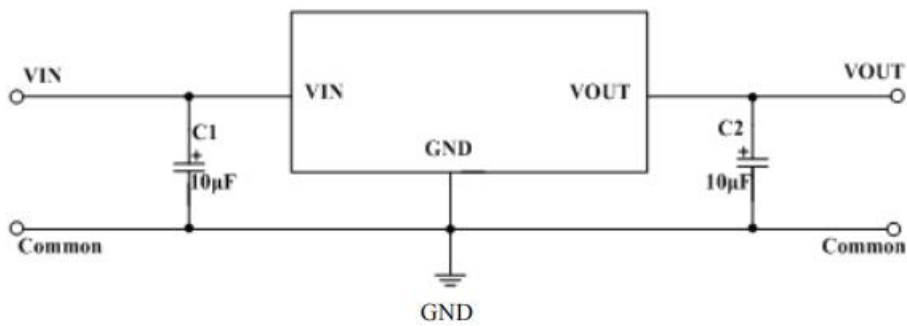
Characteristic 特性参数	Symbol 符号	Test Condition 测试条件	Min 最小值	Type 典型值	Max 最大值	Unit 单位
Output Voltage 输出电压	V _O	I _O =10mA V _I =7V	4.9	5	5.1	V
Output Current 输出电流	I _O	V _I =7V	300			mA
Dropout Voltage 落差电压	V _D	I _O =100mA ΔV _O =2%		150	300	mV
Quiescent Current 静态电流	I _q	V _I =7V I _O =0		1.5	3	μA
Line Regulation 线性调整	ΔV _O /ΔV _I *V _O	I _O =1mA 6≤V _I ≤20		0.2		%/V
Load Regulation 负载调整	ΔV _O	1mA≤I _O ≤300mA V _I =7V		37	100	mV
Output Short Current 输出短路电流	I _{lim}	V _O =0V		400		mA
Temperature Finger 温度系数	ΔV _O /ΔT _a *V _O	I _O =10mA V _I =7V -40°C≤T _a ≤85°C		±100		ppm/°C

■ Application Circuit 应用电路

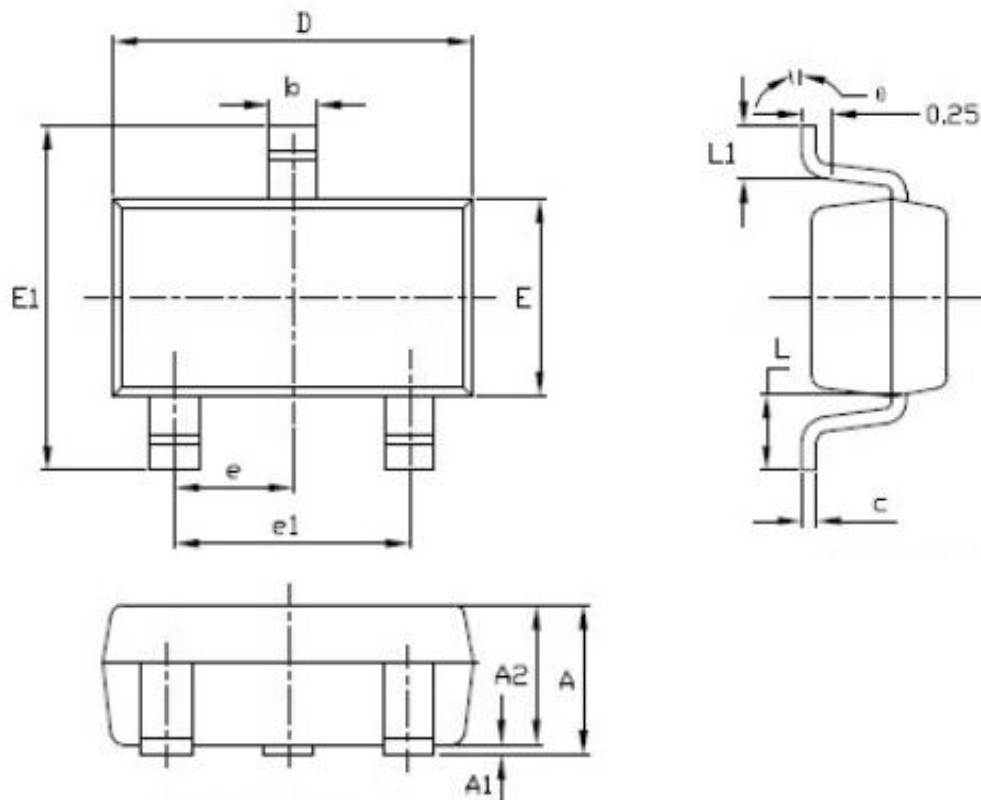
Block Circuit 电路框图



Basic Circuit 基本电路

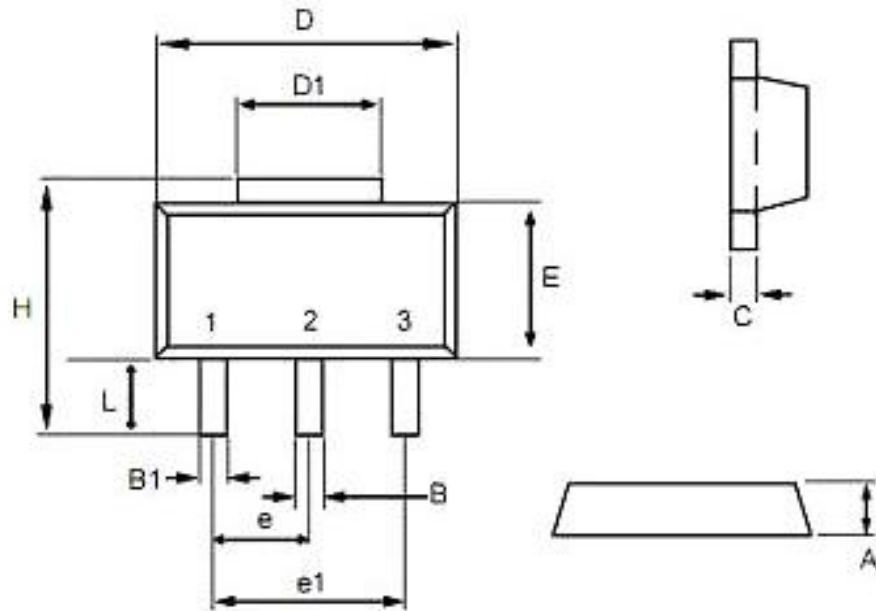


■SOT-23-3L Dimension 外形封装尺寸



Symbol	Dimensions In Millimeters		Dimensions In Inches	
	Min	Max	Min	Max
A	1.050	1.250	0.041	0.049
A1	0.000	0.100	0.000	0.004
A2	1.050	1.150	0.041	0.045
b	0.300	0.500	0.012	0.020
c	0.100	0.200	0.004	0.008
D	2.820	3.020	0.111	0.119
E	1.500	1.700	0.059	0.067
E1	2.650	2.950	0.104	0.116
e	0.950TYP		0.037TYP	
e1	1.800	2.000	0.071	0.079
L	0.600REF		0.024REF	
L1	0.300	0.600	0.012	0.024
θ	0°	8°	0°	8°

■SOT-89 Dimension 外形封装尺寸



Dim	min	max
A	1.40	1.60
B	0.40	0.56
B1	0.35	0.48
C	0.35	0.44
D	4.40	4.60
D1	1.35	1.83
e	1.50 BSC	
e1	3.00 BSC	
E	2.29	2.60
H	3.75	4.25
L	0.80	1.20