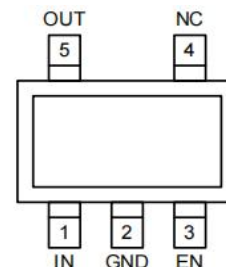


SOT-23-5L LDO 低落差稳压 IC

■ Features 特点

Ultra Low Consumption 超低功耗



■ Absolute Maximum Ratings 最大额定值

($T_A=25^{\circ}\text{C}$ unless otherwise noted 如无特殊说明, 温度为 25°C)

| Characteristic 特性参数 | Symbol 符号 | Rat 额定值 | Unit 单位 |
|----------------------------|-----------|------------------------------|--------------------|
| Input Voltage 输入电压 | V_{in} | -0.3~8 | V |
| Operating Current 工作电流 | I_o | 300 | mA |
| Output Voltage 输出电压 | V_{out} | 1.8、2.8、3.0、3.3 | V |
| Solder Temperature 焊接温度 | T_s | 260 | $^{\circ}\text{C}$ |
| Solder Time 焊接时间 | t | 10 | S |
| Operating Temperature 工作温度 | T_A | -40~+85 | $^{\circ}\text{C}$ |
| Storage Temperature 储藏温度 | T_{stg} | -55to+150 $^{\circ}\text{C}$ | |

■ Device Marking 产品字标

FS6111-M5N-1.8V=D**

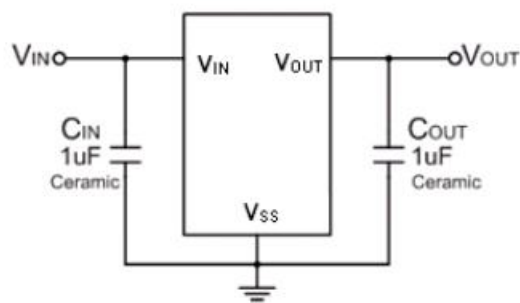
FS6111-M5N-2.8V=F**

FS6111-M5N-3.0V=G**

FS6111-M5N-3.3V=H**

**为批号

Test Circuit 测试电路

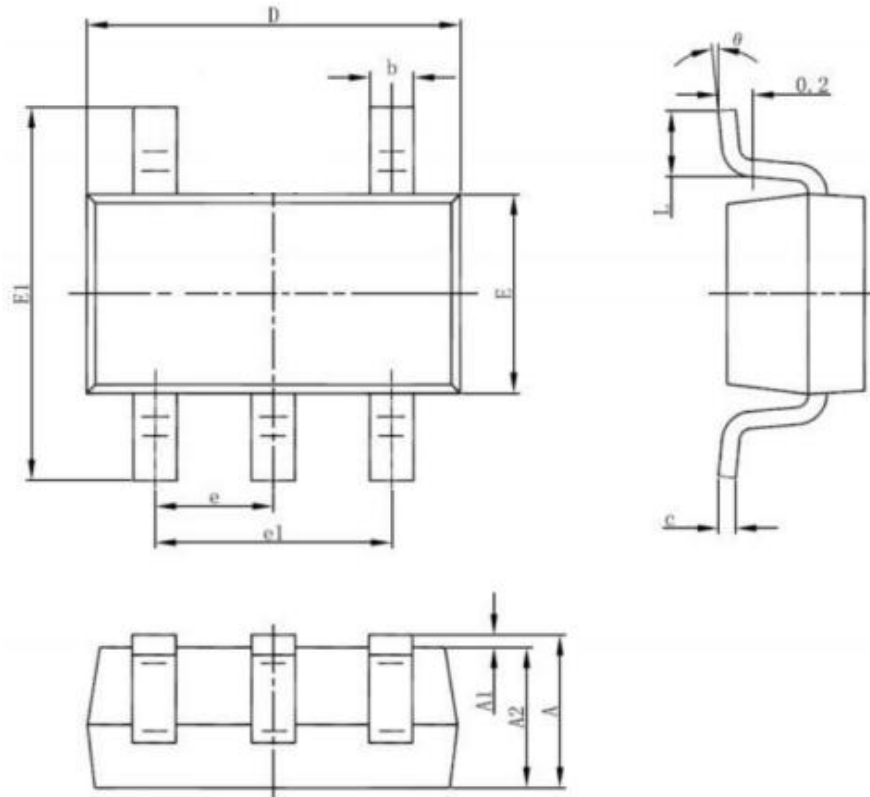


■ Electrical Characteristics 电特性

($C_i=1\mu F$ $C_o=1\mu F$ $T_A=25^\circ C$ unless otherwise noted 如无特殊说明)

| Characteristic 特性参数 | Symbol 符号 | Test Condition 测试条件 | | Min 最小值 | Type 典型值 | Max 最大值 | Unit 单位 |
|--------------------------------|--------------|--|--------------------------------|-------------------------------|-------------------|-------------------------------|------------|
| Output Voltage 输出电压 | V_O | $V_{in}=V_{out}+1V$ $I_O=1mA$ | | $V_{out(S)}$ $\times 0.99$ | $V_{out(S)}$ | $V_{out(S)}$ $\times 1.01$ | V |
| Output Current 输出电流 | I_O | $V_I=V_{out(S)}+1V$ | | | 300 | | mA |
| Dropout Voltage 落差电压 | V_D | $I_O=100mA$ | 1.5~2.5V 2.6~2.9V 3.3~5V | | 200 140 120 | | mV |
| Quiescent Current 静态电流 | I_q | $V_I=V_{out(S)}+1V$ | | | 0.8 | 1.5 | μA |
| Load Regulation 负载调整 | ΔV_O | $V_I=V_{out(S)}+1V$ $1mA \leq I_O \leq 100mA$ | | | 15 | 40 | mV |
| Load Regulation 负载调整 | ΔV_O | $V_I=V_{out(S)}+1V$ $1mA \leq I_O \leq 300mA$ | | | 27 | 55 | mV |
| Line Regulation 线性调整 | ΔV_O | $I_O=10mA$ $V_{out(S)}+1V \leq V_I \leq 6.5V$ | | | 0.02 | 0.3 | %mV |
| Input Voltage 输入电压 | V_I | | | 2 | | 6.5 | V |
| Output Current Limit 输出电流极限 | I_{Limit} | | | | 510 | | mA |
| Output Noise Voltage 噪声电压 | V_N | $10Hz \leq f \leq 100kHz$ | | | $25V_{OUT}$ | | μV |
| Ripple Rejection 纹波抑制 | RR | $V_I=V_{out(S)}+1V$ $f=1KHz,$ $I_O=10\sim 100mA$ | | | 60~80 | | dB |

■SOT-89 Dimension 外形封装尺寸



| Symbol | Dimensions In Millimeters | | Dimensions In Inches | |
|--------|---------------------------|-------|----------------------|-------|
| | Min | Max | Min | Max |
| A | 1.050 | 1.250 | 0.041 | 0.049 |
| A1 | 0.000 | 0.100 | 0.000 | 0.004 |
| A2 | 1.050 | 1.150 | 0.041 | 0.045 |
| b | 0.300 | 0.500 | 0.012 | 0.020 |
| c | 0.100 | 0.200 | 0.004 | 0.008 |
| D | 2.820 | 3.020 | 0.111 | 0.119 |
| E | 1.500 | 1.700 | 0.059 | 0.067 |
| E1 | 2.650 | 2.950 | 0.104 | 0.116 |
| e | 0.900 | 1.00 | 0.035 | 0.039 |
| e1 | 1.800 | 2.000 | 0.071 | 0.079 |
| L | 0.300 | 0.600 | 0.012 | 0.024 |
| θ | 0° | 8° | 0° | 8° |